

ALL THAT DIAPHRAGM WALL EQUIPMENT PARTS

www.roadbit.com



SINCE 1988

ASIA NO.1 DIAPHRAGM WALL CUTTER PARTS SALES

MADE IN KOREA

Contact us any time!

WA, Phone: +82-10-8503-7111

FAX: +82-51-261-2112

Email: sales@roadbit.com



**KOREA
TEETH
AND
GEAR BOX**

10+ Countries Users

20+ Foundation Drilling Specialist Choice

34 Years D-wall Experience

37 Years of parts Development Manufacturing

400+ D-wall Site Choice



KTNG and Roadbit are Wonkang Co.,LTD's D-wall wear parts and spare parts product brand.

WONKANG CO.,LTD supplies all cutter teeth, cutting wheels, mud pump and gearbox (BCF8/BCF10) for BC30/32/35/40 and BC cutter's other spare parts.

WONKANG CO.,LTD has two sister company as Wonkang Tungsten and YUJIN Construction machinery which have been developing diaphragm wall construction equipment for over 34 years and have grown together with Korean foundation drilling history.

All products are 100% compatible with Bauer's products and have been subjected to long-term performance testing at over 400 diaphragm wall construction sites. Our products are widely used in Korea, Singapore, Hong Kong and the Middle East.

The following products use genuine German products. Part of bearing, part of seal, Hyd Motor.Electronic sensor.

All other products are made in Korea. We are producing products of stable quality through ISO9001, and in the case of cutting wheel set, we have obtained CE certification.

Our gearboxes, mud pumps and other spare parts were OEM-supplied to Bauer, Germany.

In addition to the products described in this brochure, there are many other products.

We are waiting to support your work site's difficulties. You can get very efficiency solution.

Thank you.

Contact our sales team _____

SALES TEAM

WA/Mobile : +82-10-8503-7111 E-mail : sales@roadbit.com www.roadbit.com
TEL : +82-51-264-0004 FAX : +82-51-261-2112

HEAD OFFICE : WONKANG CO.,LTD

#123-402, 154 Yangju-ro Yangsan-si Gyeongsangnam-do Korea

FACTORY #1 : WONKANG TUNGSTEN ROAD BIT

2 Bodekpo 1-gil Saha-gu Busan Korea

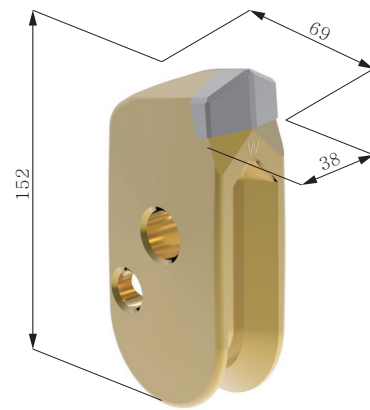
FACTORY #2 : YUJIN Construction Machinery

101-7 Beodeunaru ro 8-gil Yeongdeungpo-gu Seoul Korea

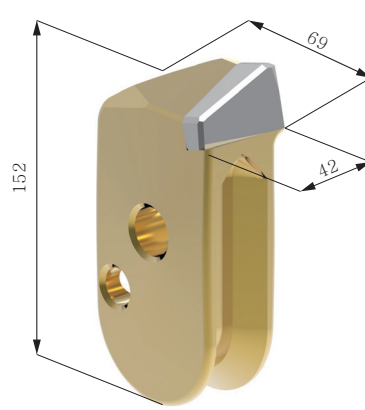


CUTTER TEETH

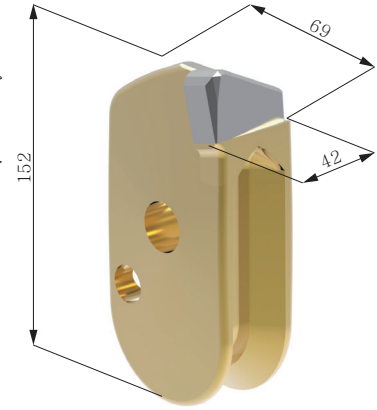
TEETH SELECTION is fundamentally important for optimal performance when excavating a diaphragm wall using a trench cutter. The type of tooth or chisel that performs best depends on the ground conditions at the site. Various cutting teeth and round shank chisels are available to suit the local ground conditions.



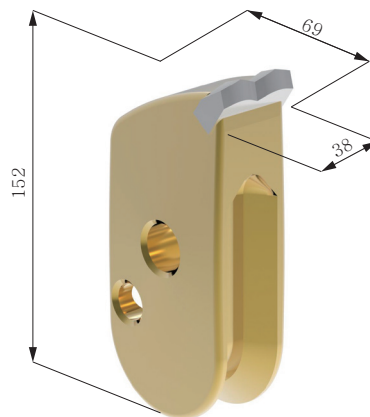
SB38-JMK / SB38-JM
372437 18071



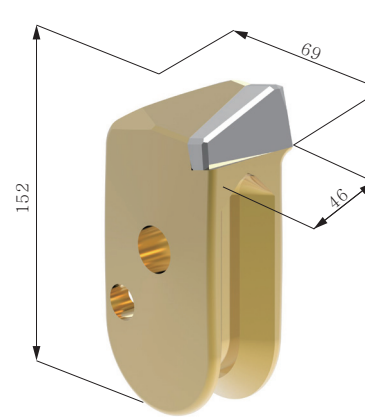
SB42-JR
94667



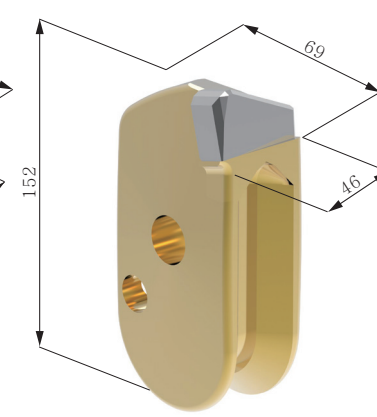
SB42-JL
94668



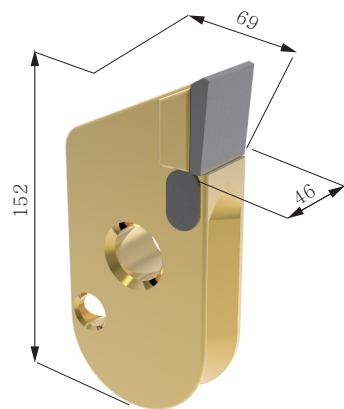
SB38-ZM
94670



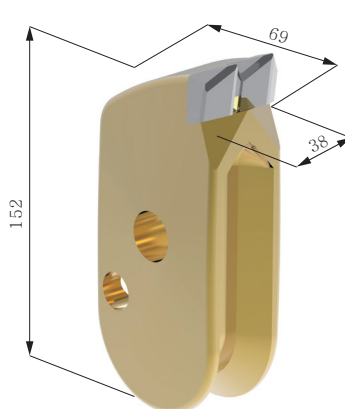
SB42-JR-LC
459484



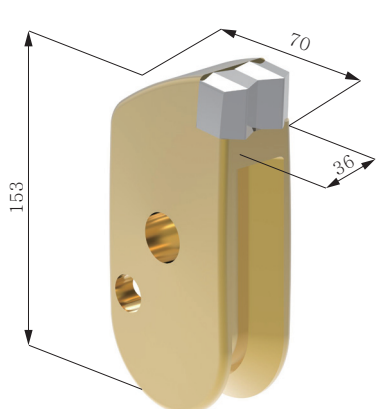
SB42-JL-LC
459490



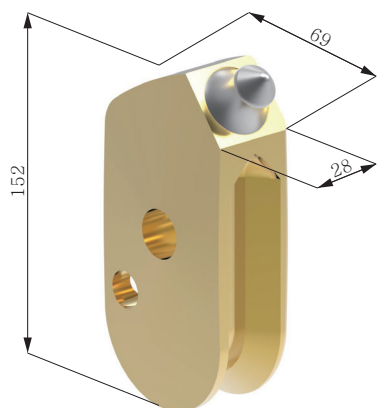
WK46-PR



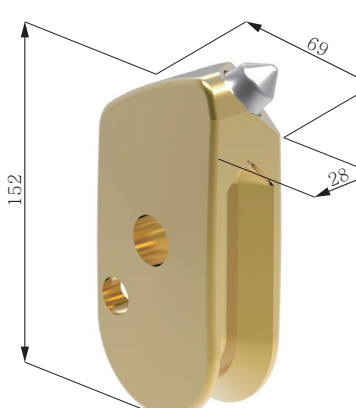
SB38-HR
416419



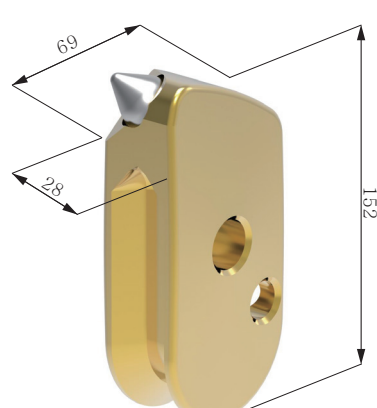
SB36
362510



WK28-RM



WK28-RR



WK28-RL

Contact us any time!

WA, Phone: +82-10-8503-7111
FAX: +82-51-261-2112
Email: sales@roadbit.com

Multipurpose Teeth SB38-JMK / JM

Available various tungsten carbide grade for maximizing the performance.

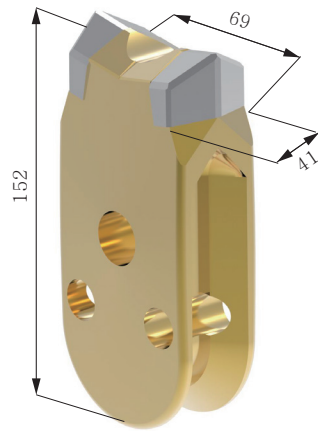
Support Various Grade
B-12-G B-20-G B-25-G

All KTNG teeth are reinforced by tungsten carbide insert, in order to confer strength, hardness and life against the abrasion and wear.

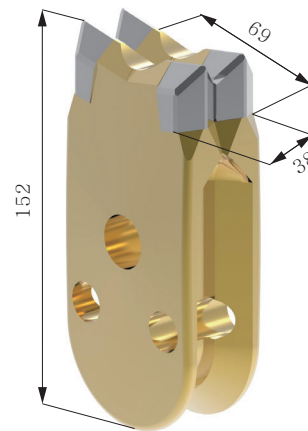
CUTTER TEETH

TEETH SELECTION is fundamentally important for optimal performance when excavating a diaphragm wall using a trench cutter. The type of tooth or chisel that performs best depends on the ground conditions at the site. Various cutting teeth and round shank chisels are available to suit the local ground conditions.

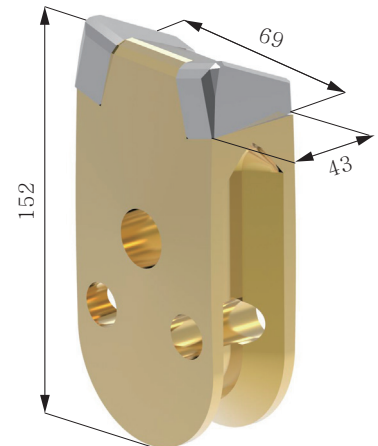
CSM



DC SB38-JMK
644296

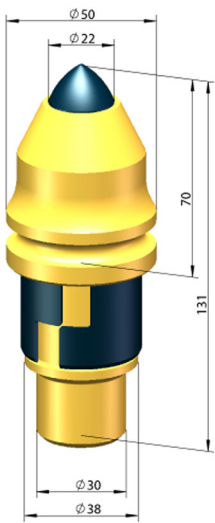


DC SB38-HR
619274

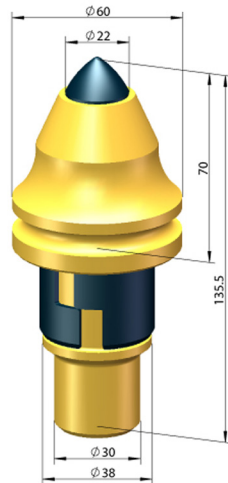


DC SB42-JLR
913234

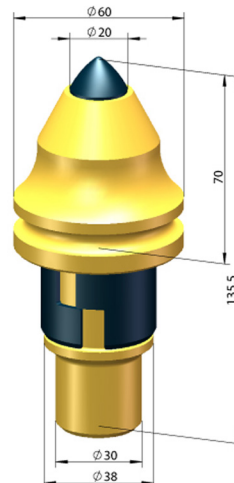
ROUND SHANK CHISEL (BULLET TEETH)



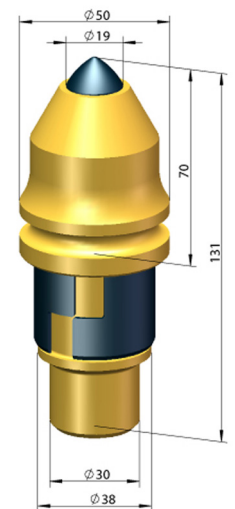
WK-38-50-WR-22-131 (B47K22H)
795800



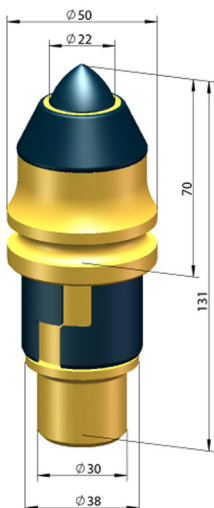
WK-38-60-WR-22-135 (RSM-C 22X27)
849546



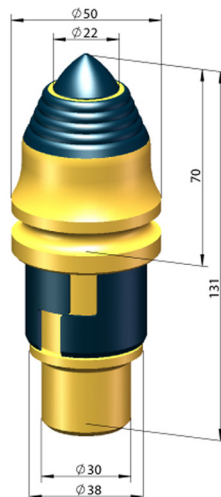
WK-38-60-WR-20-135 (RSM-C19X28)
406955



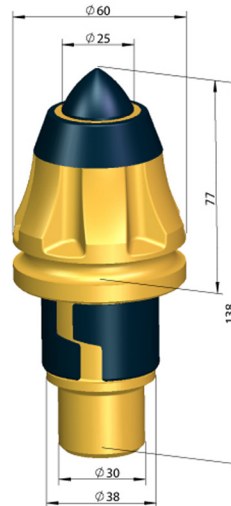
WK-38-60-WR-19-131
B47K19H



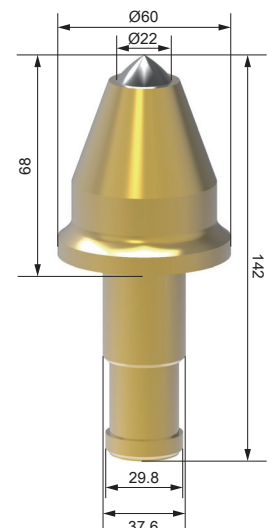
WK-38-50-WR-22-131-PF
B47K22H-PF



WK-38-50-WR-22-131-HF
B47K22H-HF
1035233



WK-38-60-WR-25-138-PF



WK-38-60-WR-22-142

Since 1988, we have been manufacturing parts for Bauer Diaphragm wall equipment. Thanks to our long experience and advanced technology, we have been recognized by Bauer, Germany, and we have supplied gearboxes and parts as OEM to Bauer.

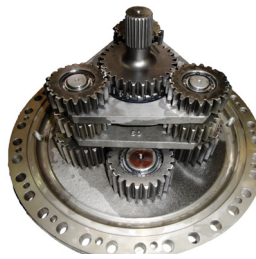
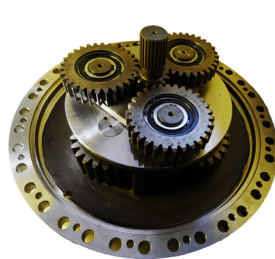
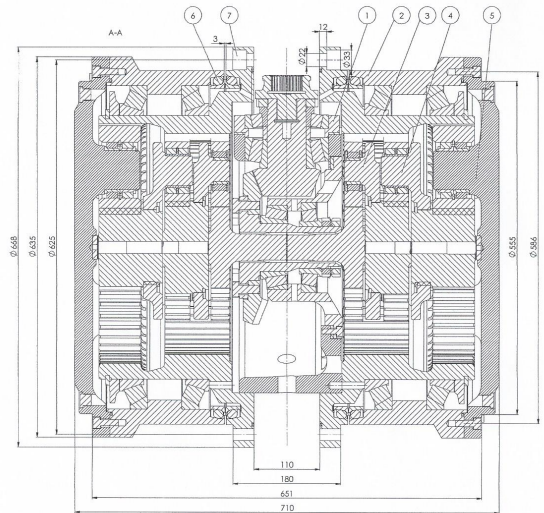
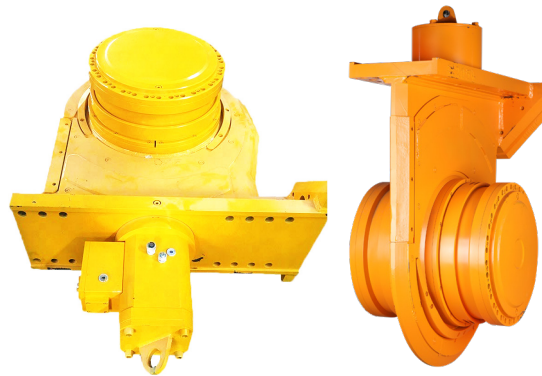
All products are 100% compatible with Bauer product's code and offer you the highest efficiency with Best quality.

Contact us any time!

WA, Phone: +82-10-8503-7111
 FAX: +82-51-261-2112
 Email: sales@roadbit.com

GEAR BOX

1. BC40/MC96 GEAR BOX
 2. BC30/BC32 GEAR BOX
- Available all version of gear boxes and parts.



BCF8 GEARING

BCF10 GEARING

DAMPING
641969

MUD PUMP



MUD PUMP CASING
19286



WEAR PLATE SUCTION SIDE
44235



RUNNIG WHEEL
43129



WEAR PLATE DRIVE END
19279



MUD PUMP ASSY
19237

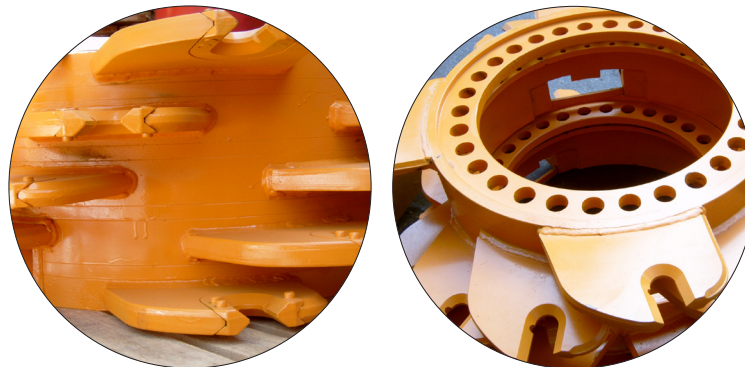
Since 1988, we have been manufacturing parts for Bauer Diaphragm wall equipment. Thanks to our long experience and advanced technology, we have been recognized by Bauer, Germany, and we have supplied gearboxes and parts as OEM to Bauer.

All products are 100% compatible with Bauer product's code and offer you the highest efficiency with Best quality.

Contact us any time!

WA, Phone: +82-10-8503-7111
 FAX: +82-51-261-2112
 Email: sales@roadbit.com

STANDARD CUTTING WHEEL



STANDARD CUTTING WHEEL

SIZE : D640-D1700

Available
 CUTTING WHEEL-D640
 CUTTING WHEEL-D800
 CUTTING WHEEL-D1000
 CUTTING WHEEL-D1200
 CUTTING WHEEL-D1500
 CUTTING WHEEL-D1700

ROUND SHANK CUTTING WHEEL

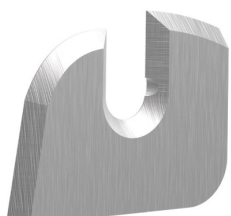


ROUND SHANK CUTTING WHEEL

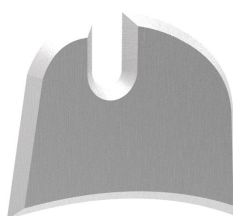
SIZE : D800-D1500

Available
 CUTTING WHEEL D800
 CUTTING WHEEL D1000
 CUTTING WHEEL D1200
 CUTTING WHEEL D1500

CUTTING WHEEL PARTS



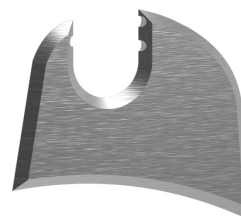
TEETH HOLDER FOR REPAIRING



TEETH HOLDER 15844



INSERT TEETH HOLDER 441010



TEETH HOLDER FOR INSERT 441010 441007



FLAP TEETH



FLAP TEETH



BUSH ROUND SHANK CHISEL 919584



RSMH50-TF 363728

CUTTING WHEEL PARTS

Available all type.

TEETH HOLDER
 INSERT TEETH HOLDER
 TEETH HOLDER FOR INSERT
 FLAP TEETH FOR BC30/32/40
 OTHERS

Since 1988, we have been manufacturing parts for Bauer Diaphragm wall equipment. Thanks to our long experience and advanced technology, we have been recognized by Bauer, Germany, and we have supplied gearboxes and parts as OEM to Bauer.

All products are 100% compatible with Bauer product's code and offer you the highest efficiency with Best quality.

SUCTION BOX SET



SUCTION BOX SET
SIZE : D640-D1700

SUCTION BOX SET D640 / D800 / D1000 / D1200/ D1500 / D1700

DRIVE UNIT



DRIVE UNIT	376947
MOTOR A6VM200	383049
A6VM200HA2/63W	734460
DRIVE UNIT SET	392198
SEAL CASING	126371
COUPLER B120	126355
SOCKET	114932
SOCKET COVER	114933
RPM SWITCH	19535
NUK KM105	390966

ROPE PULLY



ROPE PULLY
BC30 / BC40

ROPE PULLY - BC30 18611
ROPE PULLY - BC40 242053

Contact us any time!

WA,Phone: +82-10-8503-7111

FAX: +82-51-261-2112

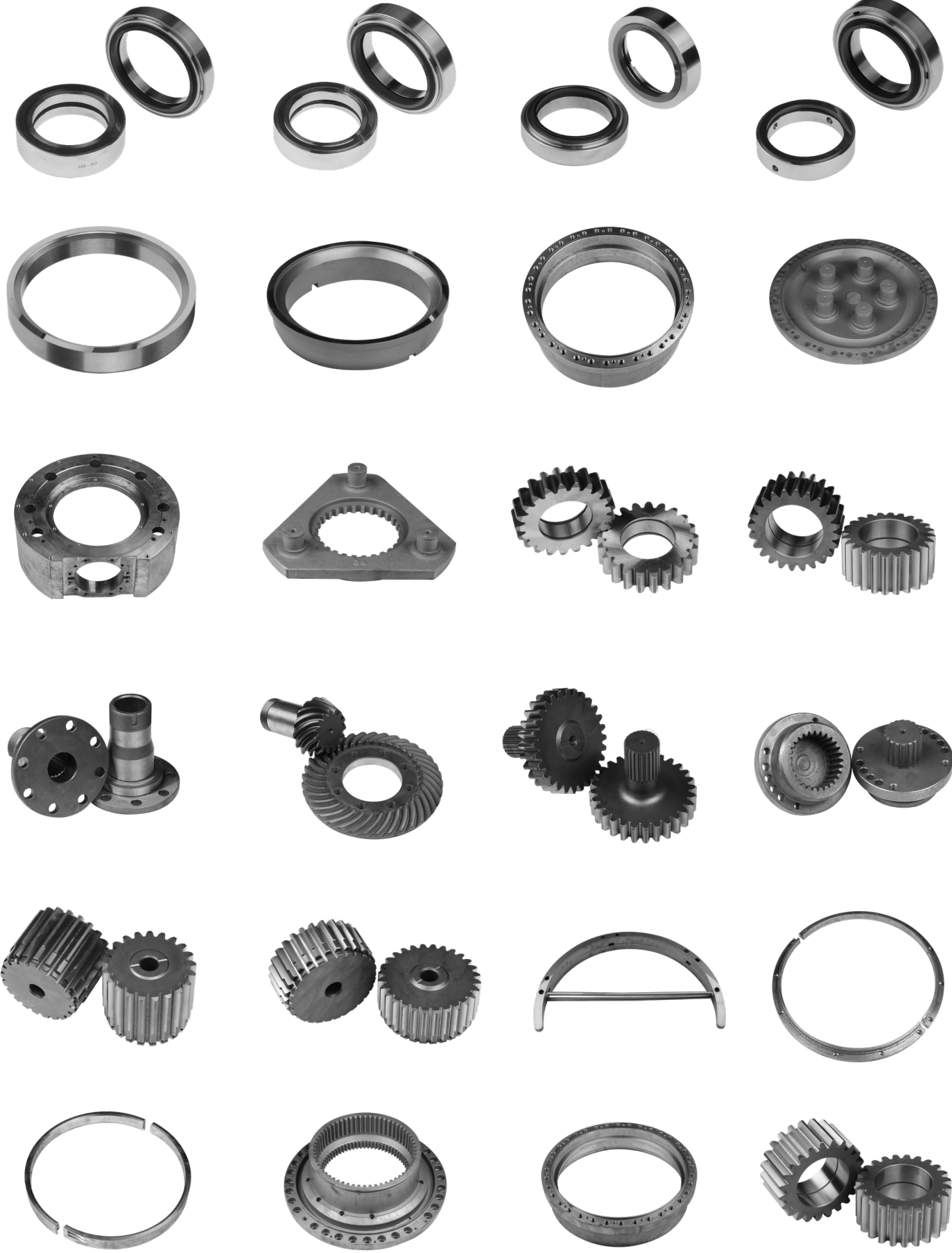
Email: sales@roadbit.com

SPARE PARTS



Contact us any time! WA,Phone: +82-10-8503-7111 FAX: +82-51-261-2112 Email: sales@roadbit.com

SPARE PARTS



Contact us any time! WA,Phone: +82-10-8503-7111 FAX: +82-51-261-2112 Email: sales@roadbit.com

SPARE PARTS



CUSTOMER



* Selective Customers Only

PROJECT SUPPLY RECORD

Singapore

DTL901
T3008
MS Project
TSL223
TSL226
TEL307
TEL308
TEL305
TEL301
C821A
NSC106
NSC108
NSC109
NSC101
NSC103
PunggolDigitalDis.
NSC102
T313
T316
NSC110A
SP Cable Tunnel EW01
Other 40 +

Hongkong

HKIA C3203
HKIA C3204
HKIA C3205
Hongkong Link Road
SCL C1109
WAN CHAI C019
WAN CHAI C002
WAN CHAI C001
SR8 Project
SCL C1123
CrossBaylink
Yamatei West

U.A.E

One Za'abeel ICD HQ
Step Deep Tunnel Sewer
Qasr Al Hosn PRJ
Celestial Heights PRJ
Abu Dhabi City Ring Road
Office Tower, Buseness Bay
Al Turath Develop PRJ
Dubai LRT Green Ln
Haning Garden
Infinity Tower
Dubai LRT Union Stn.
Dubai Metro Project
Dubai LRT Red Line
Marsa Dubai

Malaysia

KLCC Package 1&2
Construction and completion-
of North East Car Park
Kuala Lumpur City Centre

Qatar (Doha)

Doha Metro Red Line North True-
-Golf Course
Doha Metro Red Line North
Doha Metro Major Station

Contact us any time!

WA,Phone: +82-10-8503-7111
FAX: +82-51-261-2112
Email: sales@roadbit.com

Excluded 300 + performance in Korea



www.roadbit.com | www.ktnngco.com

WONKANG CO.,LTD

WONKANG TUNGSTEN (Factory)
2 Bodeokpo 1-gil Saha-gu Busan 49486 Korea
TEL : +82-51-264-0004 FAX : +82-51-261-2112 WA/Mobile : +82-10-8503-7111
E-mail : sales@roadbit.com
Roadbit | KTNG are registered trademark of WONKANG CO.,LTD

